

# **MACHINES**

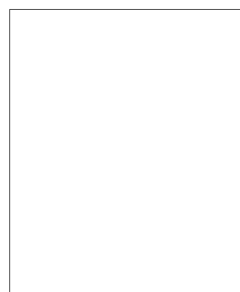
**TEXTILHUS**

**PART III**

**DIPLOMA**  
**THEME B**  
**SOLANGE PICCARD**

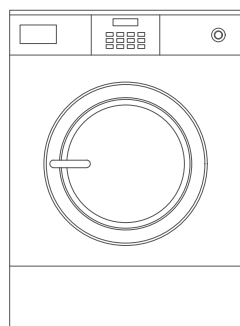
**INVENTORY**

# WASHING MACHINE

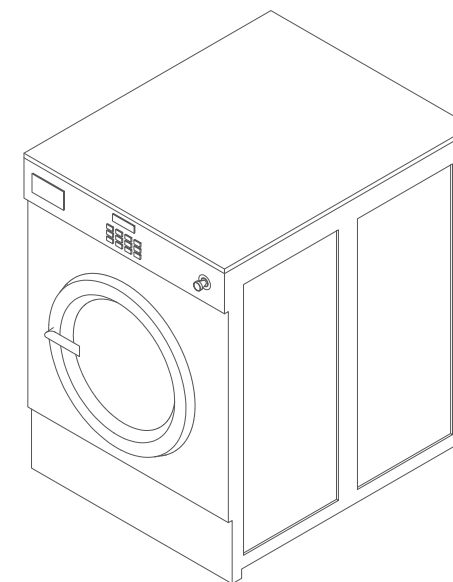
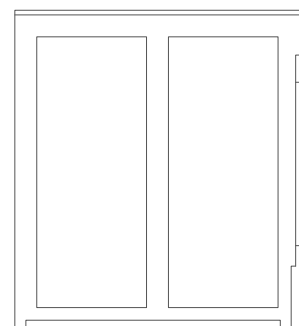


1.1

1.3



1.5



**DESCRIPTION** WASHING MACHINE

**MODEL** UC100

**REFERENCE** 3.2.1

**DIMENSIONS** 1054x1298x1453 cm

**WEIGHT** 581 kg

**CAPACITY/h** 45 kg/h

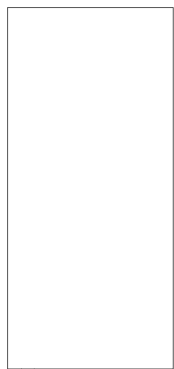
**CAPACITY/day** 360 kg/day

**POWER** 3.75 kW

5670 kg/day

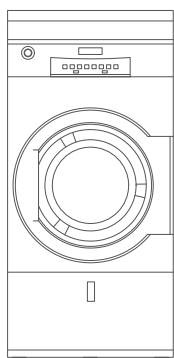
min 20 MACHINES

## DRYING MACHINE

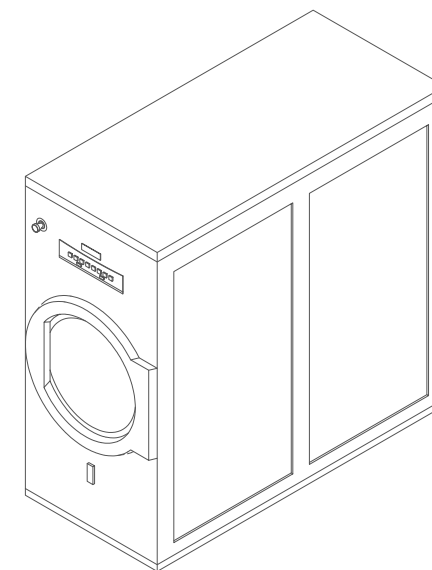
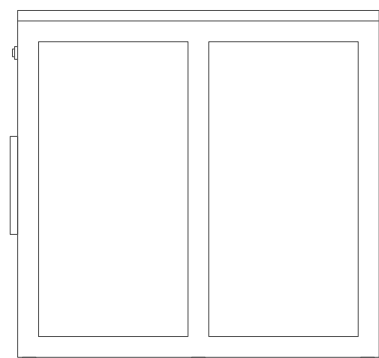


0.8

1.8



1.7



**DESCRIPTION** DRYING MACHINE

**MODEL** UHP345

**REFERENCE** 3.2.1

**DIMENSIONS** 1680x795x1735 cm

**WEIGHT** 375 kg

**CAPACITY/h** 17 kg/h

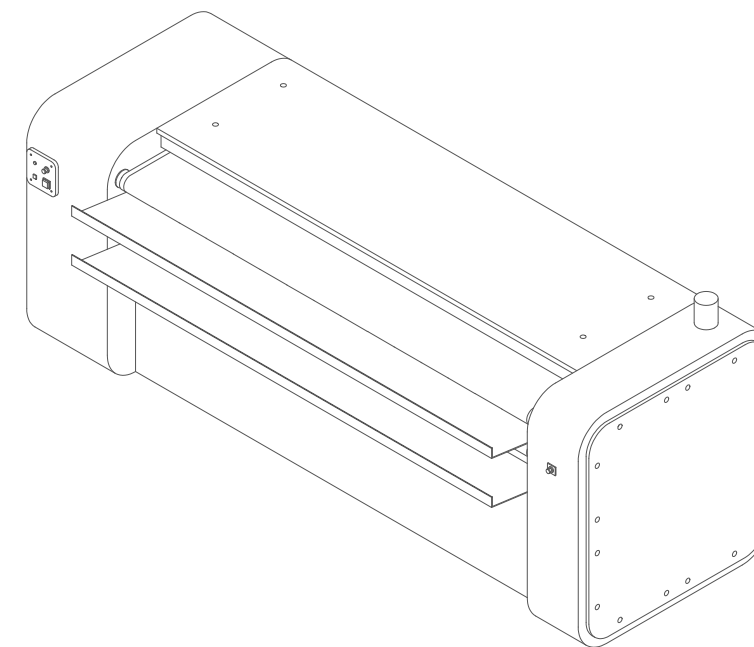
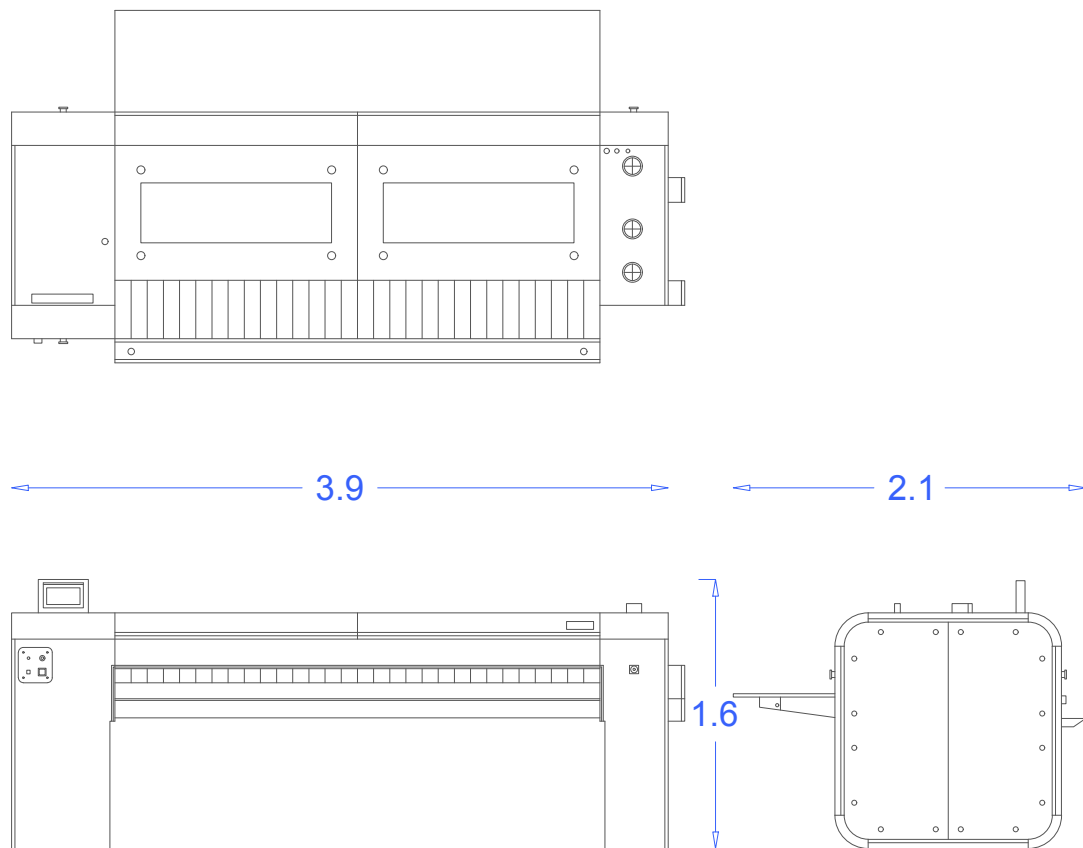
**CAPACITY/day** 136 kg/day

**POWER** 2.9 kW

1260 kg/day

min 16 MACHINES

## INDUSTRIAL DRYER FOR CLOTHS



**DESCRIPTION** INDUSTRIAL DRYER FOR CLOTHS

**MODEL** ACL800

**REFERENCE** 3.2.3

**DIMENSIONS** 2910x2035x1415 cm

**WEIGHT** 200 kg

**CAPACITY/h** 152 kg/h

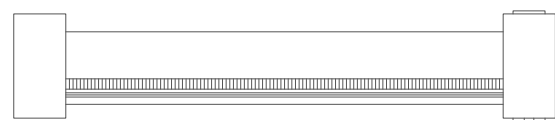
**CAPACITY/day** 1216 kg/day

**SPEED** 3-12m/min

3150 kg/day

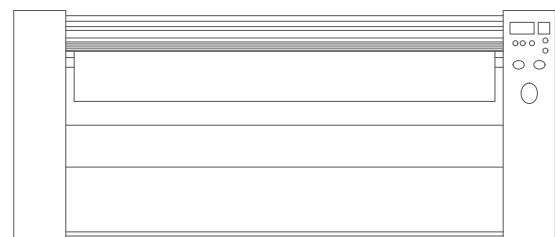
3 MACHINES

# INDUSTRIAL IRONING MACHINE

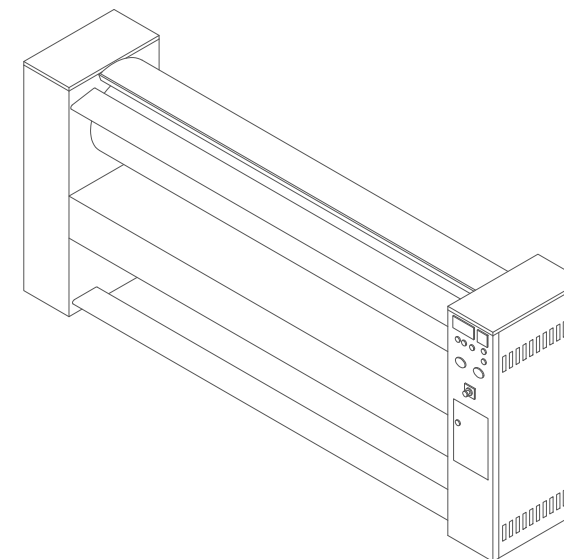
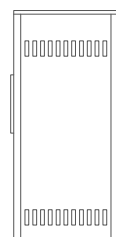


← 2.6 →

→ 0.5 ←



↑ 1.1 ↓



**DESCRIPTION** DRYING MACHINE

**MODEL** I30-200AV

**REFERENCE** 3.3.1

**DIMENSIONS** 1100x2600x500 cm

**WEIGHT** 350 kg

**CAPACITY/h** 52-79 kg/h

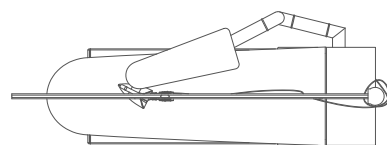
**CAPACITY/day** 600 kg/day

**SPEED** 2-4m/min

630 kg/day

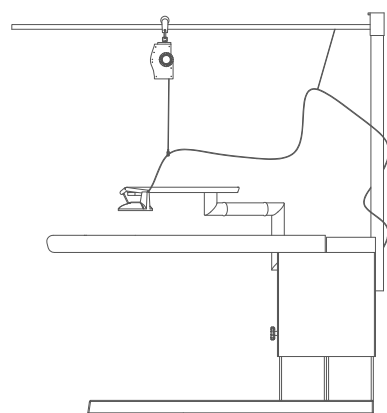
3 MACHINES

## MANUAL IRONING MACHINE

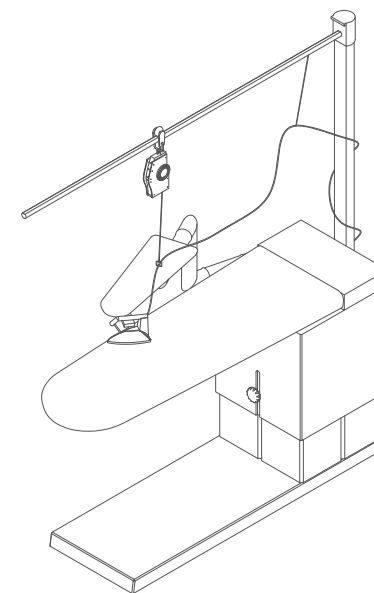
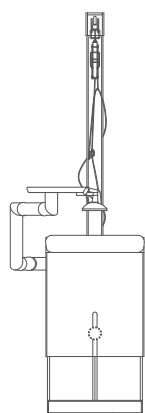


1.8

0.6



1.9



**DESCRIPTION** DRYING MACHINE

**MODEL** UC100

**REFERENCE** 3.3.2 / 6.1.5

**DIMENSIONS** 610x1400x930 cm

**SURFACE** 0.48 m<sup>2</sup>

**WEIGHT** 82 kg

**CAPACITY/h** 2.6 kg/h

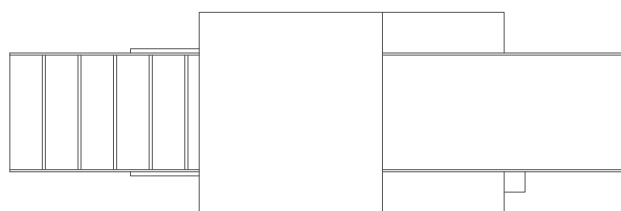
**CAPACITY/day** 48 kg/day

**POWER** 2.6 kW

630 kg/day

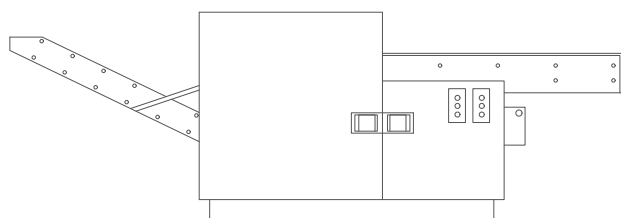
min 13 MACHINES

## RAGS CUTTING MACHINE

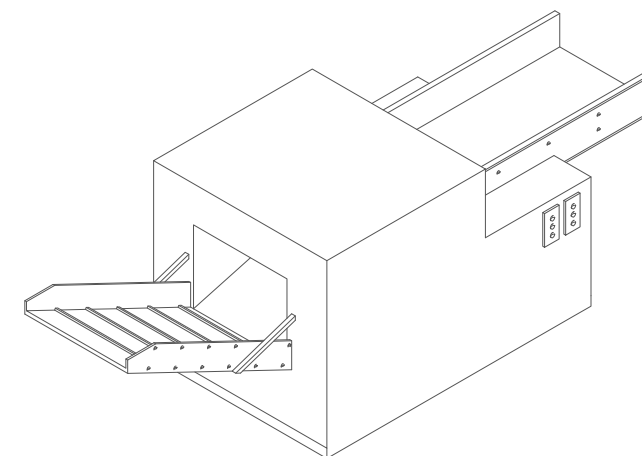
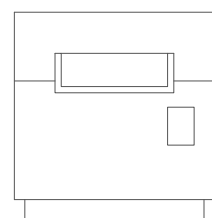


2.9

1.0



1.0



**DESCRIPTION** RAGS CUTTING MACHINE

**MODEL** C35

**REFERENCE** 4.C1.1

**DIMENSIONS** 3050x960x1000 cm

**WEIGHT** 850 kg

**CAPACITY/h** 1000-1500 kg/h

**CAPACITY/day** 48 kg/day

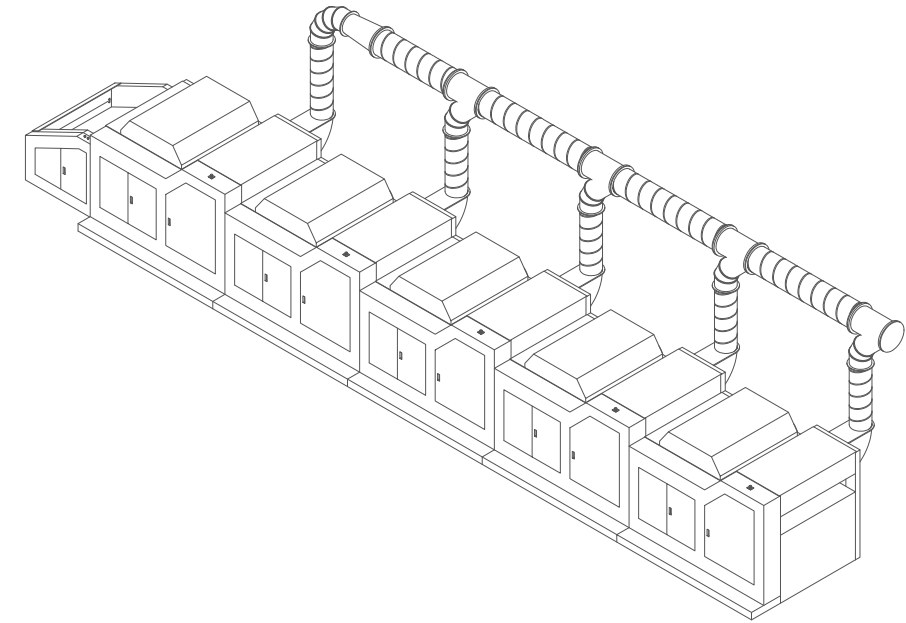
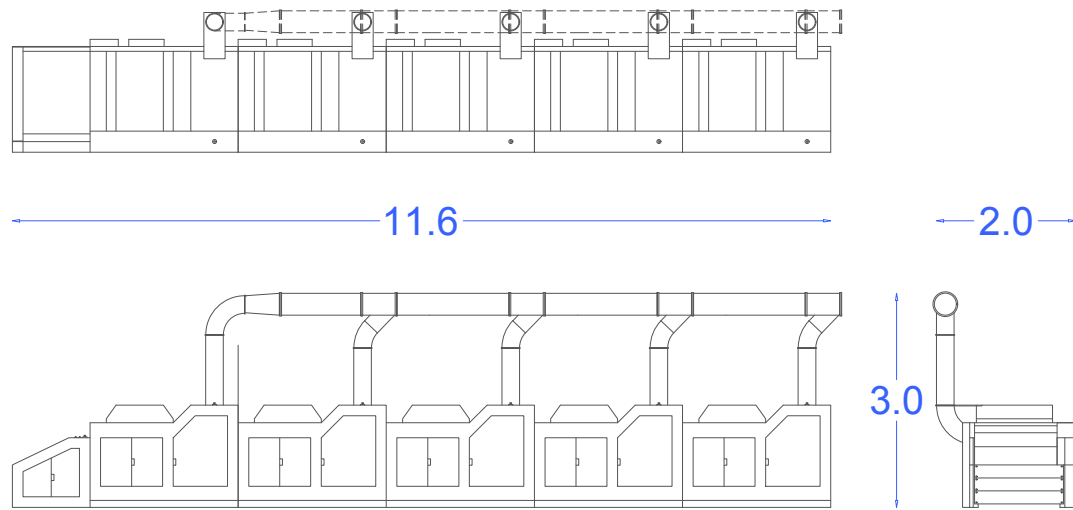
**SPEED** 230 r/m

1890 kg/day

2 MACHINES



# RECYCLING FABRIC MACHINE



**DESCRIPTION** RECYCLING MACHINE

**MODEL** K700-N

**REFERENCE** 4.C1.2

**DIMENSIONS** 11600x2000x3000 cm

**WEIGHT** 7500 kg

**CAPACITY/h** 850 kg/h

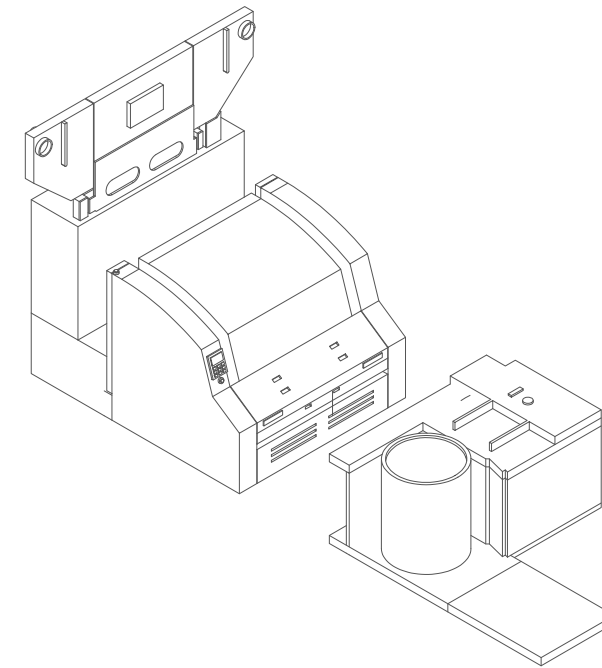
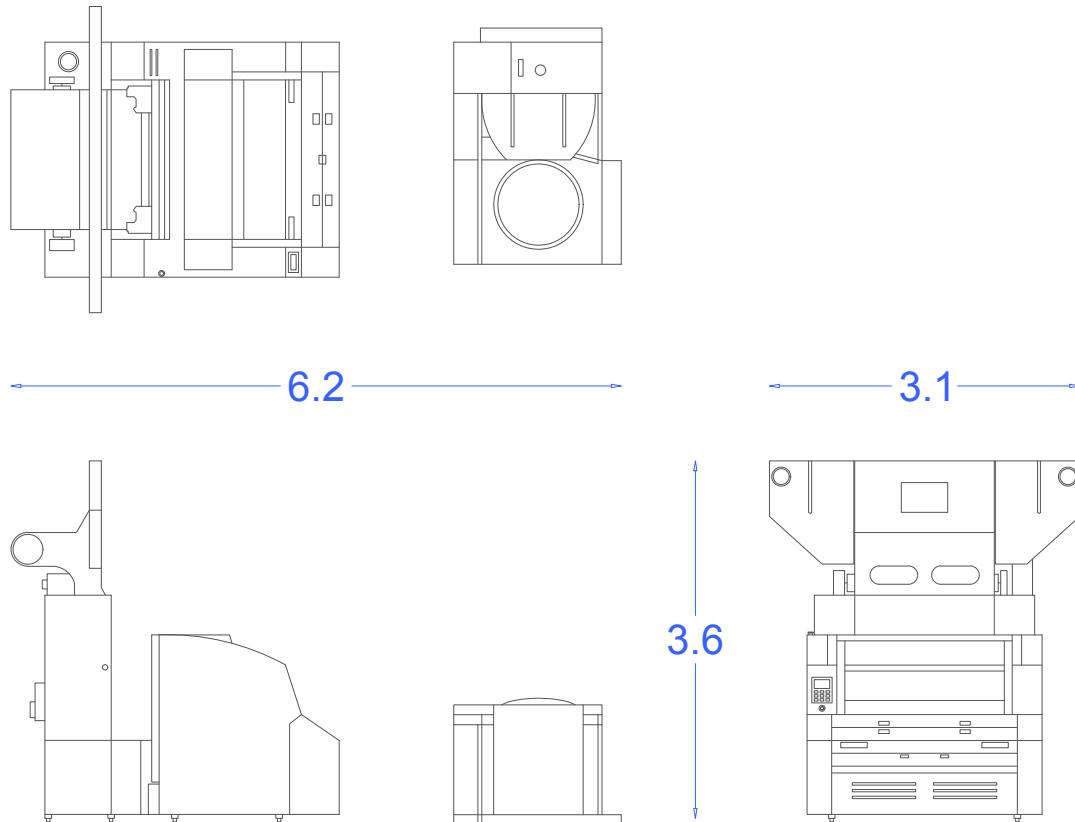
**CAPACITY/day** 48 kg/day

**POWER** 133kW

1890 kg/day

2 MACHINES

## CARDING MACHINE



**DESCRIPTION** CARDING MACHINE

**MODEL** CardC75

**REFERENCE** 4.C1.3

**DIMENSIONS** 3325x2380x2930 cm

**CAPACITY/h** 50 kg/h

**CAPACITY/day** 400 kg/day

**SPEED** 330m/min

**POWER** 23.5-29 kW

1890 kg/day

6 MACHINES

## RING SPINNING MACHINE

DESCRIPTION RING SPINNING MACHINE

MODEL ISO9001

REFERENCE 4.C1.4

DIMENSIONS  $(7700+N*1700) \times 120 \times 120$  cm

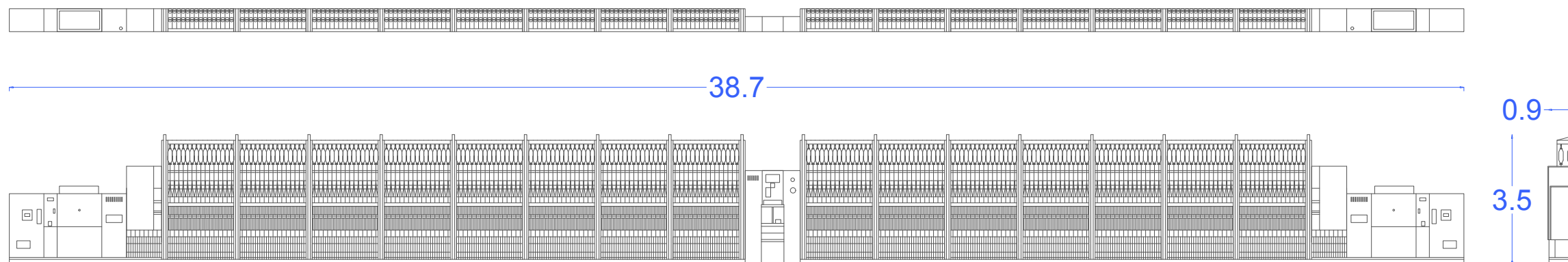
WEIGHT 345 kg

SPINDLE SPEED 4500-8000 RPM

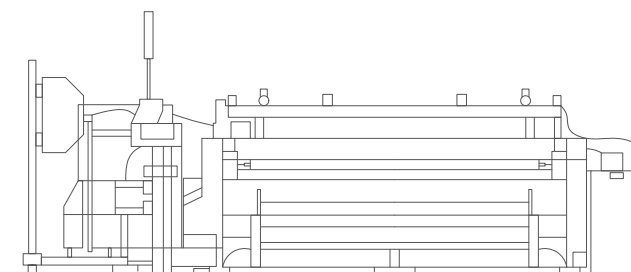
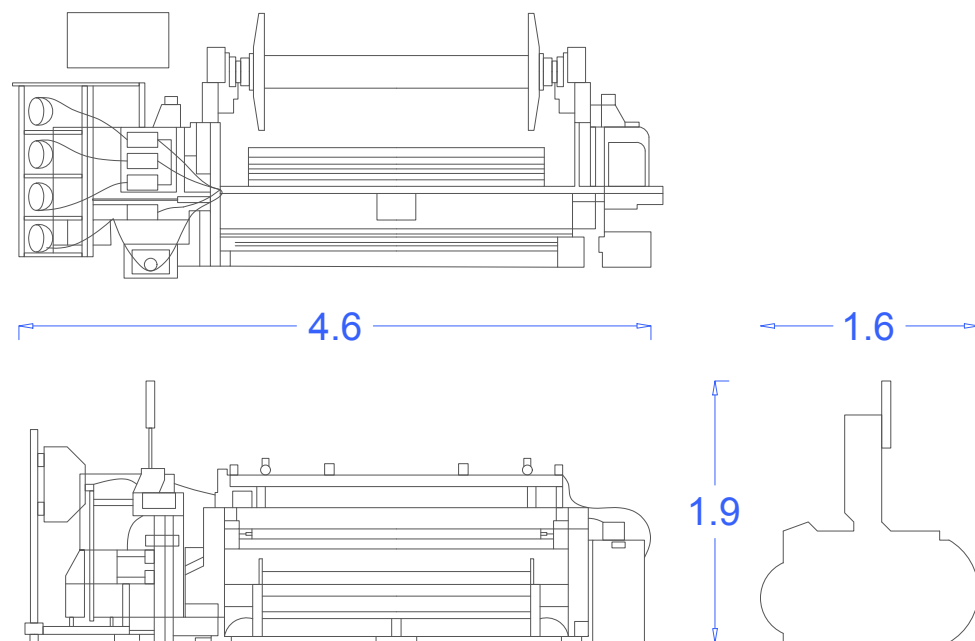
SPEED 5-12m/min

1890 kg/day

1 MACHINES



## WEAVING MACHINE



**DESCRIPTION** WEAVING MACHINE

**MODEL** R9500<sup>2</sup>

**REFERENCE** 5.C1.1

**DIMENSIONS** 4600x1600x1900 mm

**CAPACITY** 700 sets/month

**COLORS** 2-6

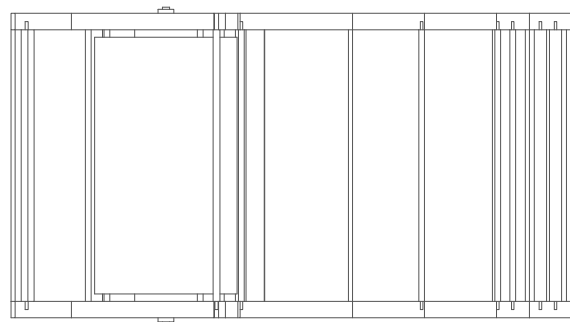
**SPEED** 800-1200 RPM

**REED WIDTH** 140-360 cm

1890 kg/day

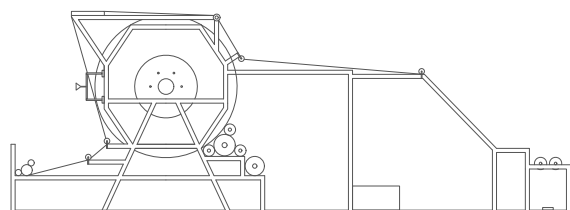
2 MACHINES

# STRATIFICATION MACHINE

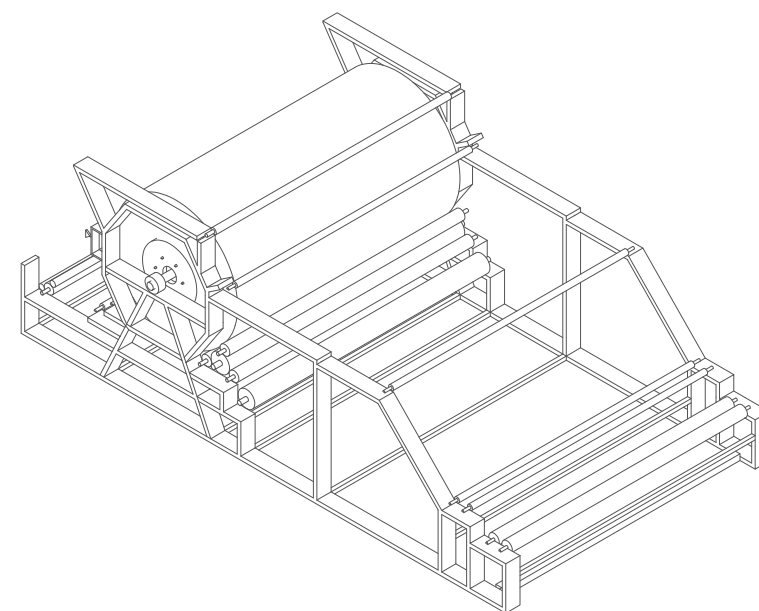
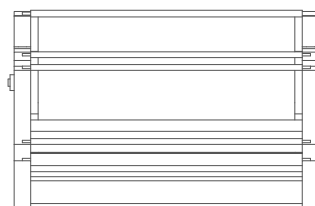


6.8

3.7



2.5



**DESCRIPTION** STRATIFICATION MACHINE

**MODEL** H-WG-1800

**REFERENCE** 5.C1.2

**DIMENSIONS** 6800x2400x2400 mm

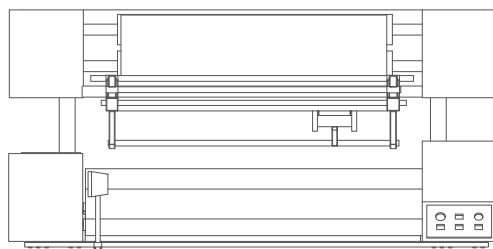
**WEIGHT** 3800 kg

**SPEED** 0-30 m/min

1890 kg/day

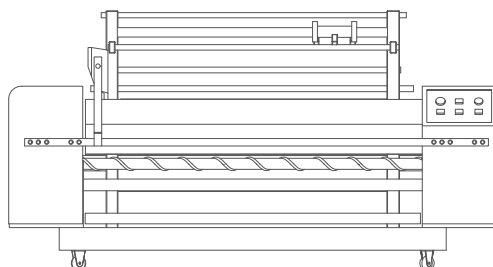
1 MACHINE

## FABRIC WINDING MACHINE

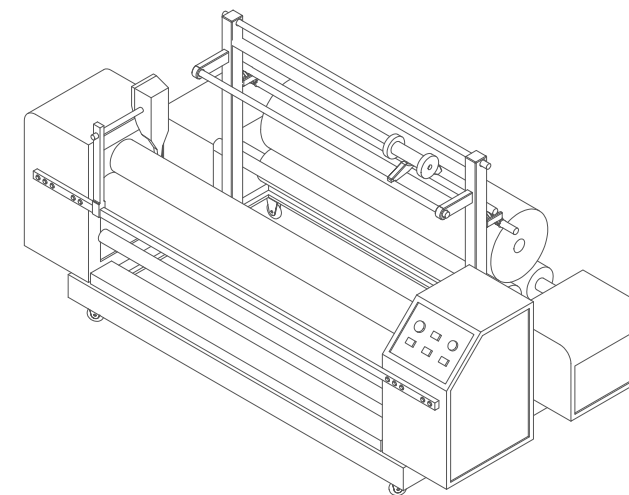
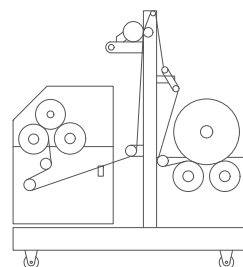


2.6

1.3



1.4



**DESCRIPTION** FABRIC WINDING MACHINE

**MODEL** YL-210F-JS-ED

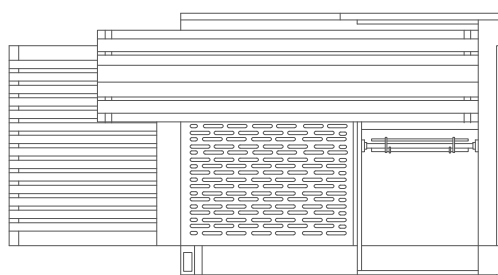
**REFERENCE** 5.C1.3

**DIMENSIONS** 2630x670x1250 mm

**POWER** 0.65 kW

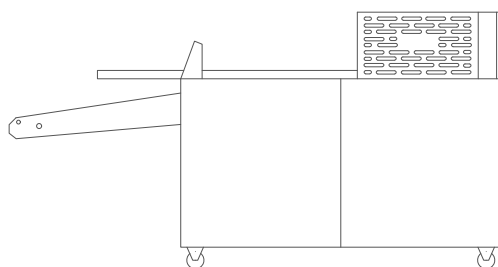
**SPEED** 0-30 m/min

## FABRIC FOLDING MACHINE

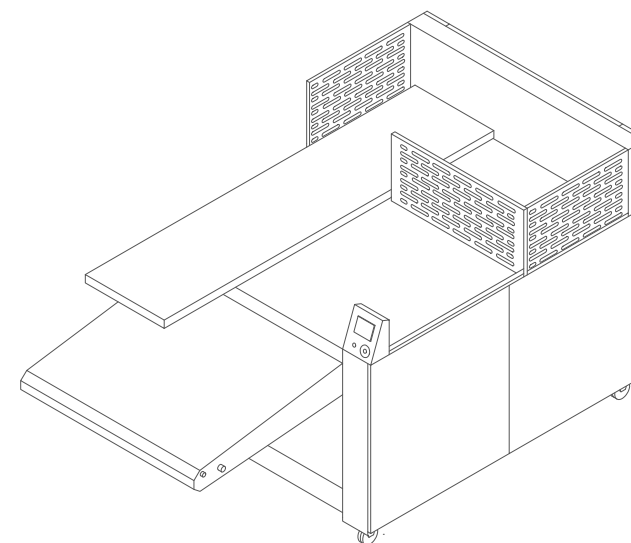
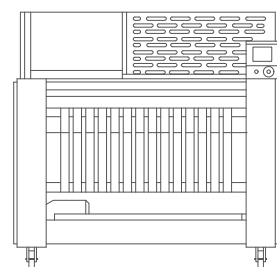


3.0

1.6



1.5



**DESCRIPTION** FOLDING MACHINE FOR TEXTILES

**MODEL** ATFVC3

**REFERENCE** 5.C1.4

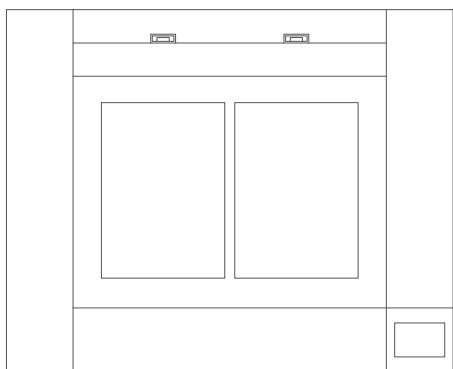
**DIMENSIONS** 1600x3000x1700 mm

**WEIGHT** 850 kg

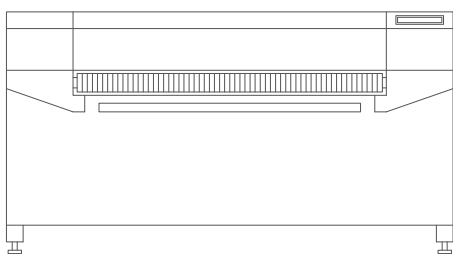
**POWER** 2.5 kW

**SPEED** 34 m/min

## LASER TEXTILE CUTTING MACHINE

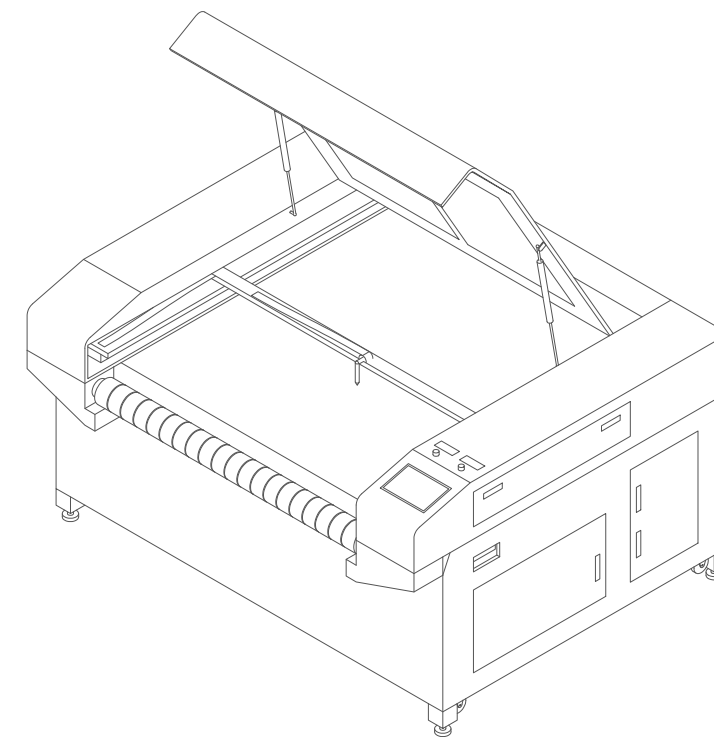
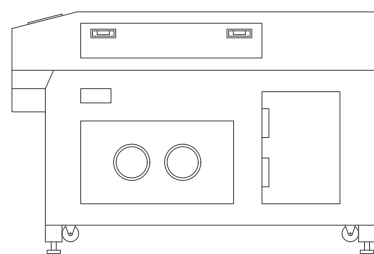


2.7



1.5

2.2



**DESCRIPTION** LASER CUTTING MACHINE

**MODEL** CDH-1810

**REFERENCE** 4.C2.1/6.1.1

**DIMENSIONS** 2680x2180x1450 mm

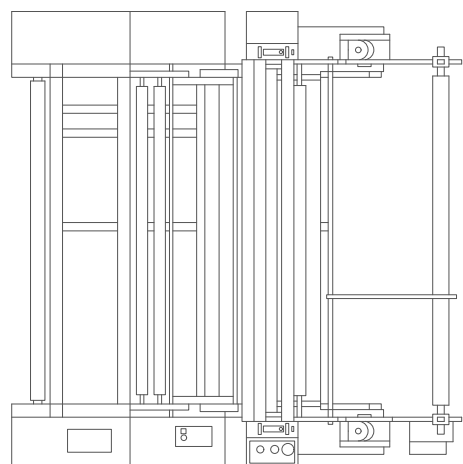
**WEIGHT** 730 kg

**CUTTING AREA** 1500x900

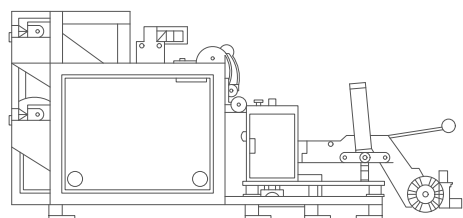
**SPEED** 0-30 m/min



## FABRIC SLITTING MACHINE

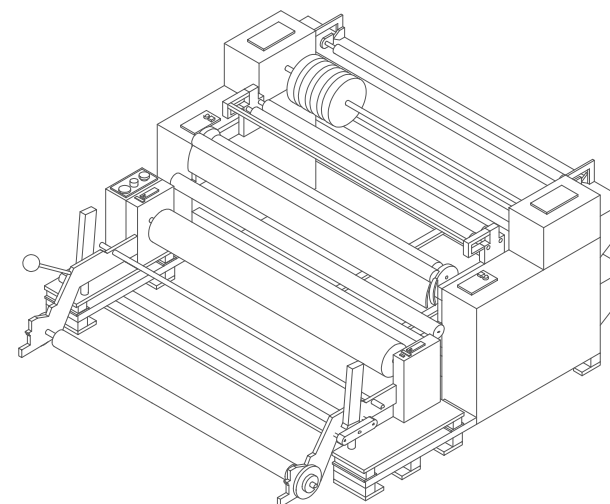


2.7



1.2

2.7



**DESCRIPTION** FABRIC SLITTING MACHINE

**MODEL** ONL-XE 1800

**REFERENCE** 4.C2.2/6.1.2

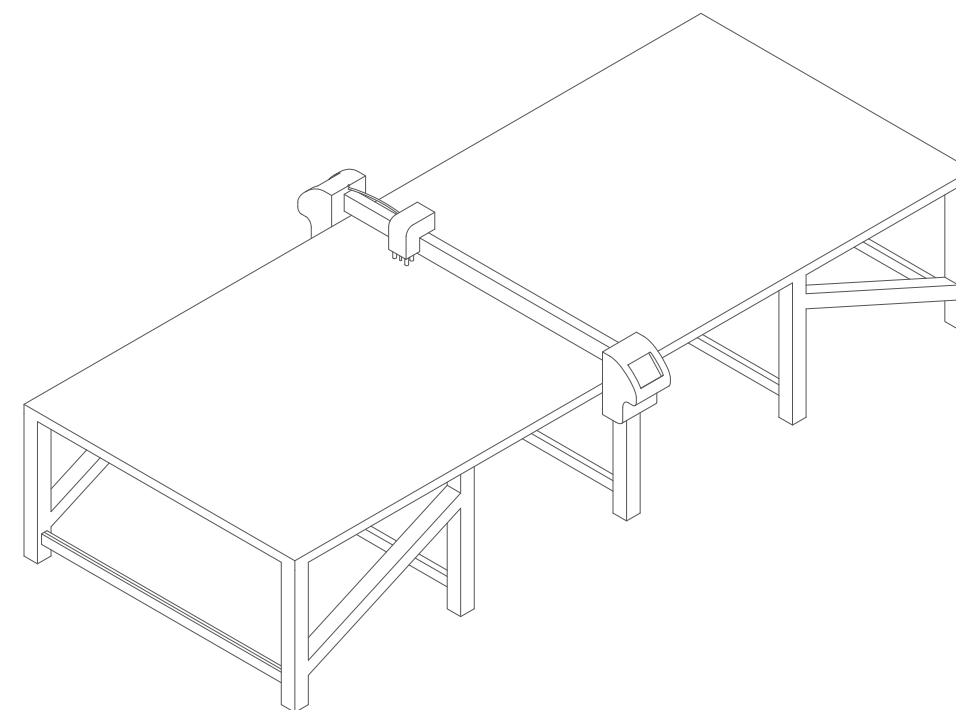
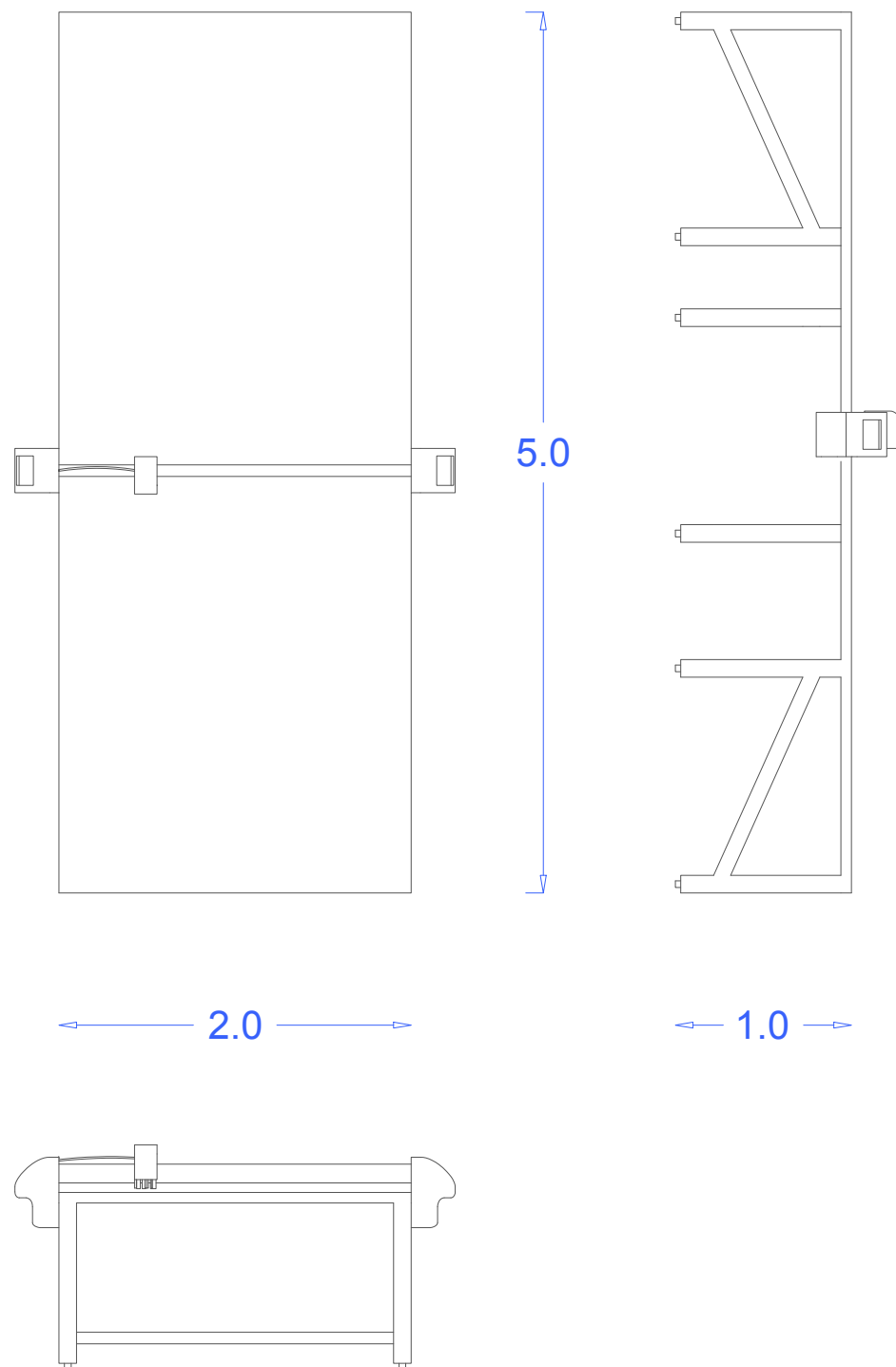
**DIMENSIONS** 2900X2700X1600 mm

**WEIGHT** 1500 kg

**POWER** 5 kW

**SPEED** 50-90 m/min

## FABRIC CUTTING TABLE



**DESCRIPTION** CUTTING TABLE FOR FABRIC

**MODEL** S125

**REFERENCE** 4.C2.3/6.1.3

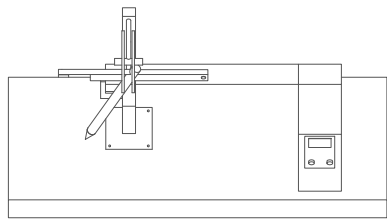
**DIMENSIONS** 5000x2000x1000 mm

**WEIGHT** 300 kg

**SURFACE** 10 m<sup>2</sup>

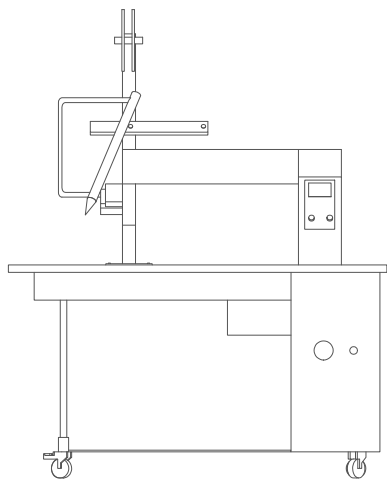
**CAPACITY** 1524 mm/s

## SEWING MACHINE

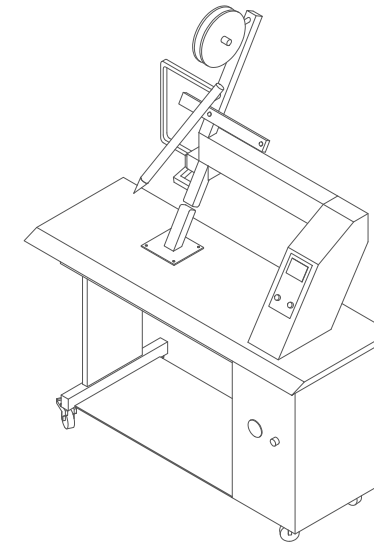
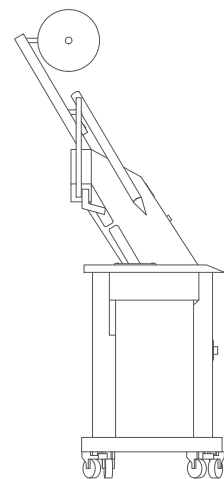


1.6

0.9



2.0



**DESCRIPTION** INDUSTRIAL SEWING MACHINE

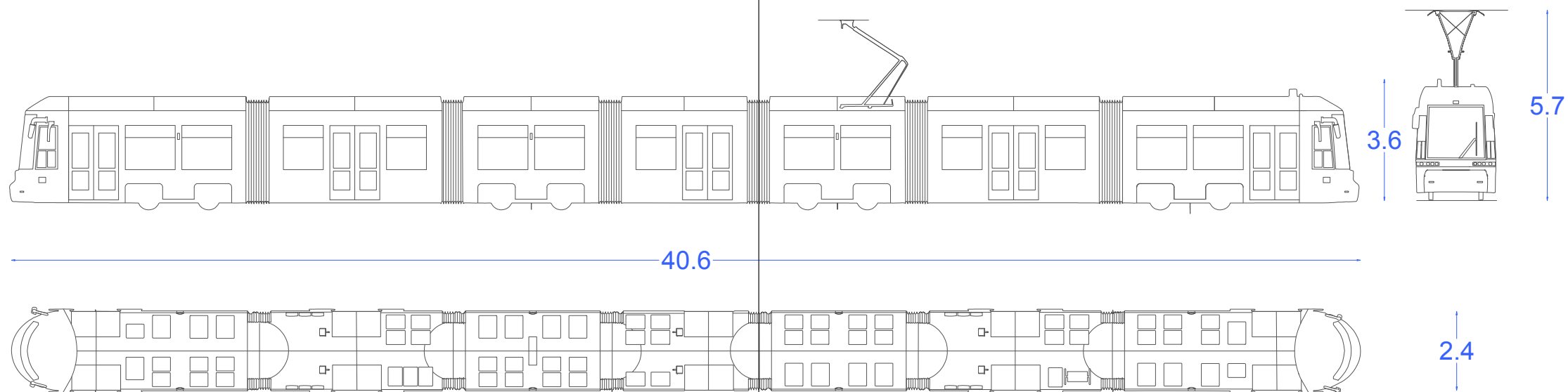
**MODEL** YC-F7

**REFERENCE** 6.1.4

**DIMENSIONS** 1750x590x1590 mm

**POWER** 1.8 kW

# ZURI FLEXITY CITY TRAM



**DESCRIPTION** ZURI TRAM

**MODEL** FLEXITY CITY

**REFERENCE** 1.1

**DIMENSIONS** 40600x2400x3600 mm

**VOLUME** 350 m<sup>3</sup>

**CAPACITY** 9 t. of clothes per day

