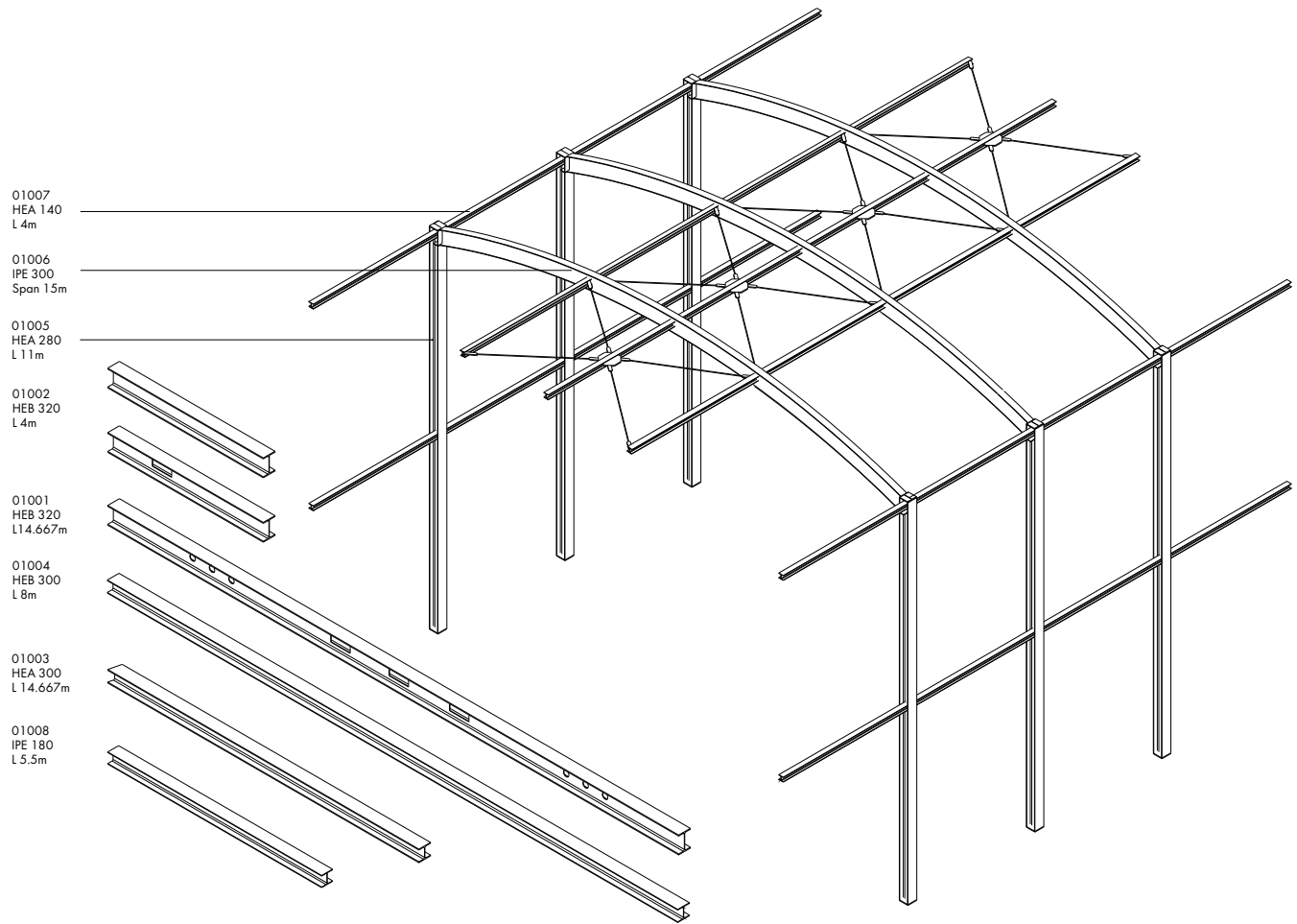
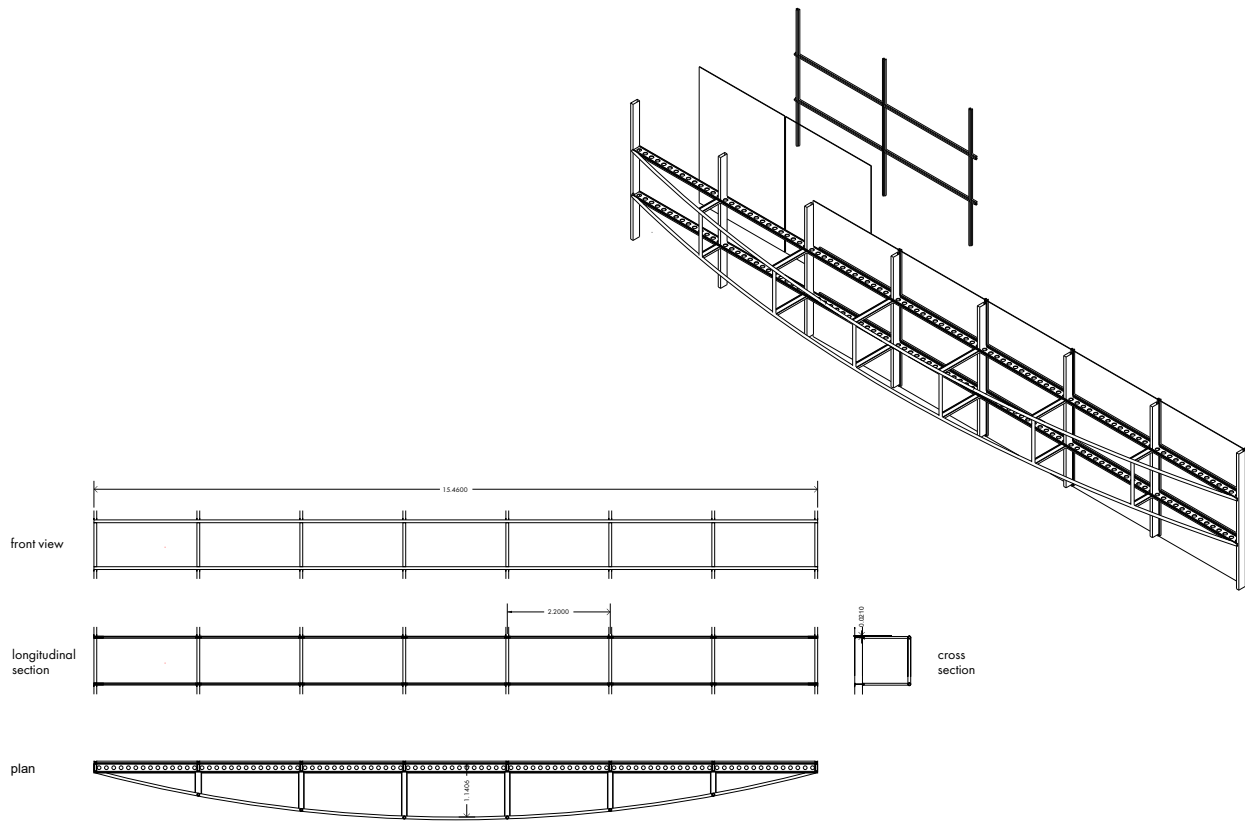


01001 - 01008  
steel column / beam



Catalog Number	Name	Function in new Building	Size	Material	Additional Information	Quantity	Source
01001	Steel beam	Column Groundfloor & First Floor	HEB 320 L 14.667m	Steel S235	with opening for pipes	22	Dismantle industrial building in Bern
01002	Steel beam	Column Groundfloor & First Floor	HEB 320 L 4m	Steel S235	partially with opening for pipes	22	Dismantle industrial building Bern
01003	Steel column	Column Entrance	HEA 300 L 14.667m	Steel S235	red painted	2	Dismantle industrial building Bern
01004	Steel column	Column Entrance	HEB 300 L 8m	Steel S235	red painted	4	Dismantle industrial building Bern
01005	Steel column	Column 2-6 Floor	HEA 280 L 11m	Steel S235	red painted	22	Dismantled warehouse in Luzern
01006	Steel arch	Arch Atrium	IPE 300 Curved Span 15m	Steel S235	curvature radius 22m	9	Dismantled warehouse in Luzern
01007	Steel beam	Purlin Atrium	HEA 140 L 4m	Steel S235	red painted, diagonal reinforcement included	24	Dismantled warehouse in Luzern
01008	Steel beam	Beam Gallery	IPE 180 L 5.5m		grey painted	> 200	Bauteilbörse Basel

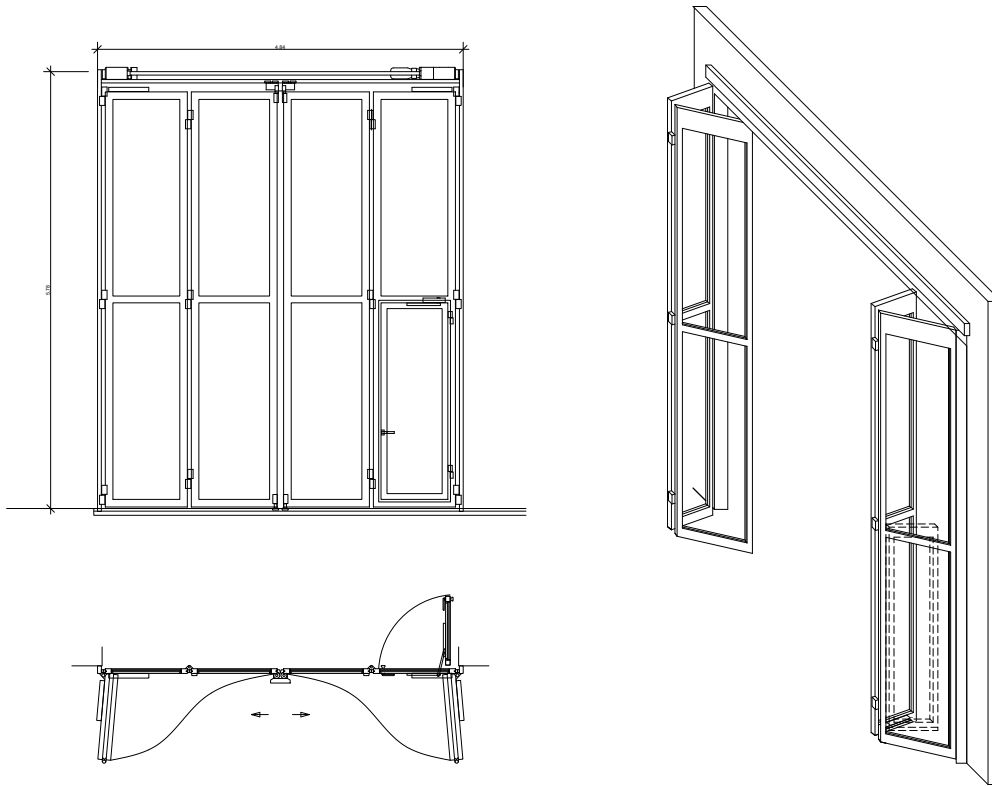
# 01009 steel truss arch



Catalog Number	Name	Function in new Building	Size	Material	Additional Information	Quantity	Source
01009	Steel truss	Structure of roof terrace	various hollow profile Span 15m		grey painted, welded connection	3	in situ, east facade

02001

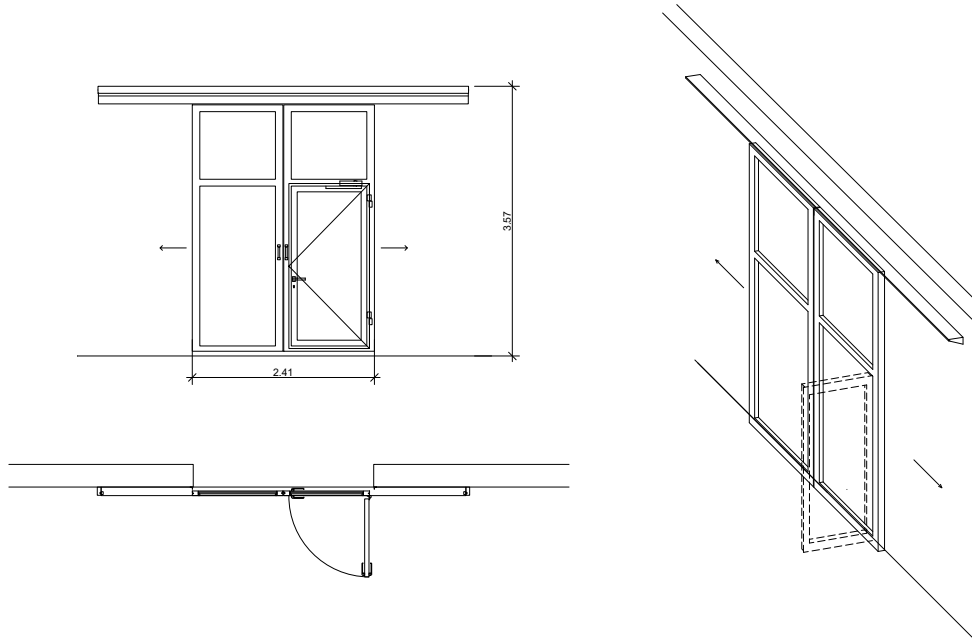
folding gate with service door 2 x 2 Leaves



Catalog Number	Name	Function in new Building	Size	Material	Additional Information	Quantity	Source
02001	Folding gate	open workshop and Atelier in Ground-floor	H 5.7m B 6m	galvanized Alu	2x2 leaves glazed	14	Winterthur

02002

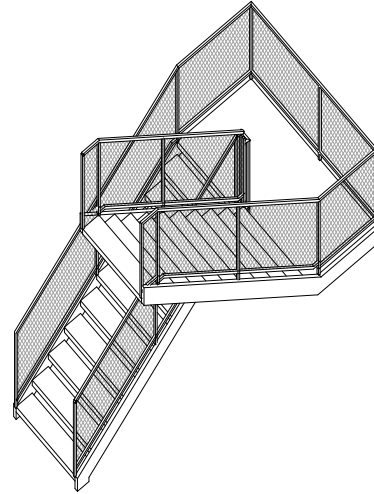
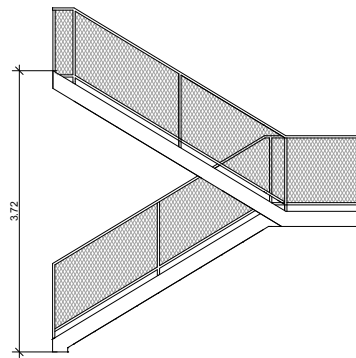
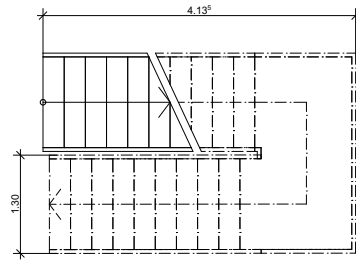
Sliding door 2 Leaves



Catalog Number	Name	Function in new Building	Size	Material	Additional Information	Quantity	Source
02002	Sliding door	Atelier first floor	H 3.2m B 3m	greypowder coated Alu	2 leaves glazed	12	Aargau

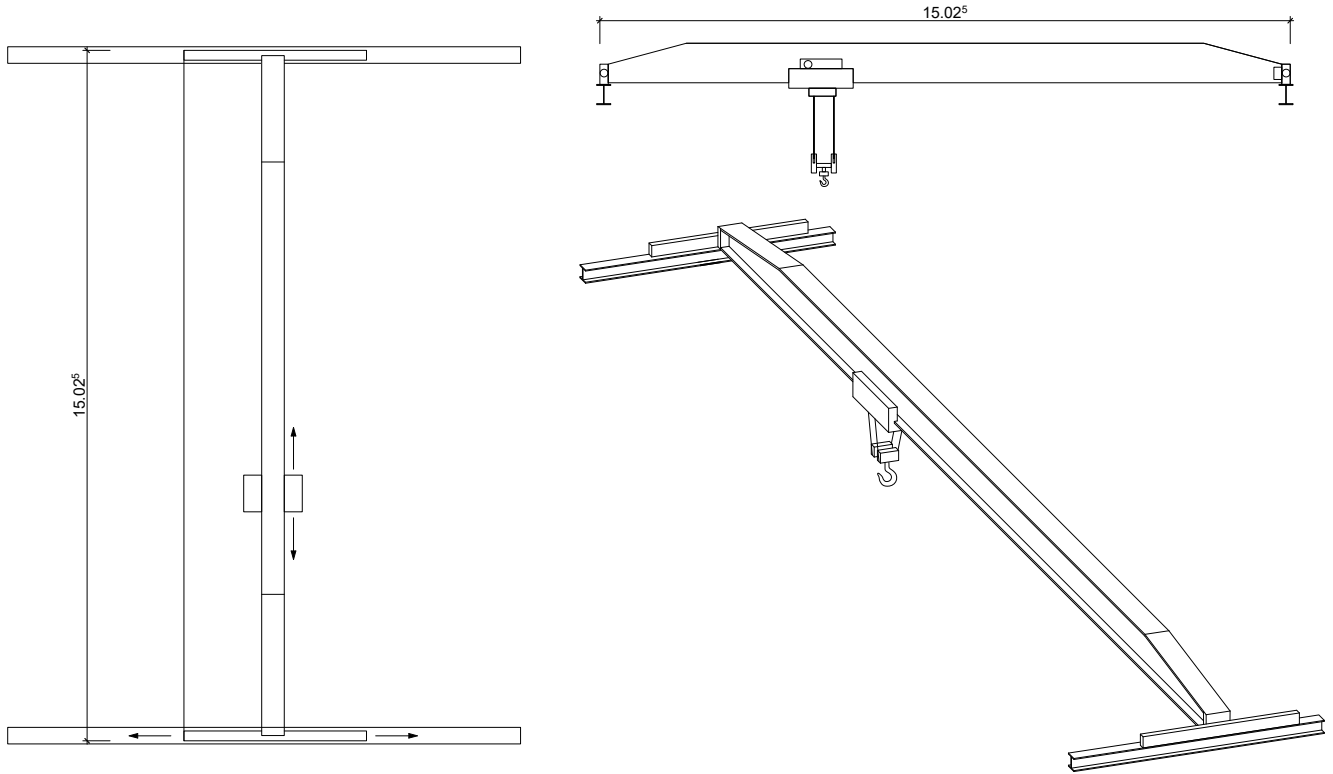
03002

Staircase outdoor



Catalog Number	Name	Function in new Building	Size	Material	Additional Information	Quantity	Source
03002	Staircase	Stair at the entrance	H 3,75m x 7 floors B 1.2m	galvanized Steel	with metal net banister	1	Zurich

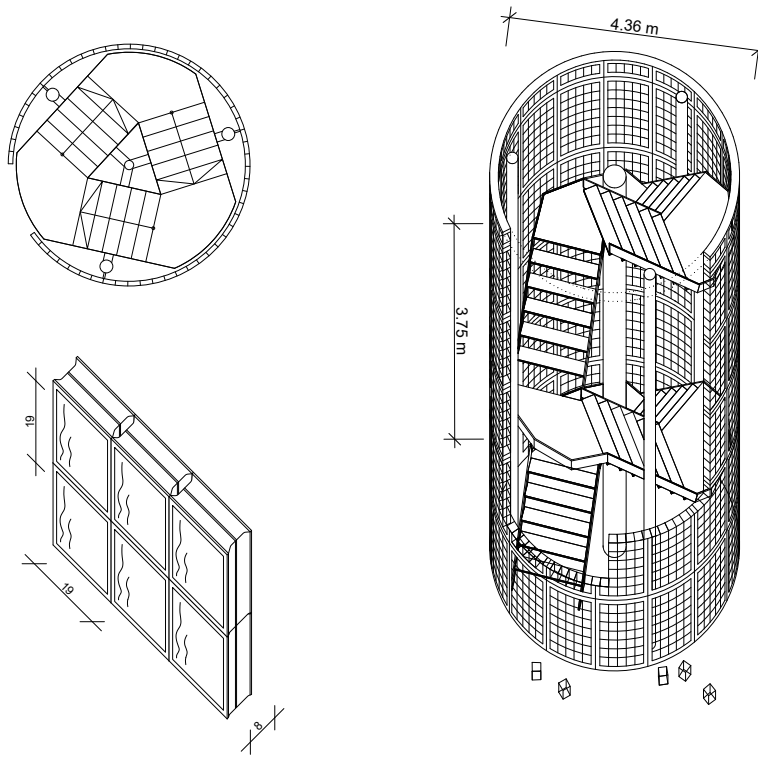
03002  
 indoor crane  
 5000kg



Catalog Number	Name	Function in new Building	Size	Material	Additional Information	Quantity	Source
03001	Indoor Crane	Crane in Atrium	15m Span	Steel	5000kg capacity	1	Zurich

03003 spiral staircase

03004 glass brick



Catalog Number	Name	Function in new Building	Size	Material	Additional Information	Quantity	Source
03003	spiral staircase	staircase 5 to 6 floor	H 3.75m, D4.36m B 1.2m	Steel	need additional railing	4	in situ, east facade
03004	glass brick	balustrade east facade, roof terrace	H 0.19m L 0.19m B 0.08m	glass		100m <sup>2</sup>	in situ, east facade